

SNCSTM 200

Normal-Duty Take-Up Unit
Setscrew Lock

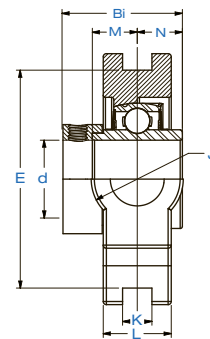
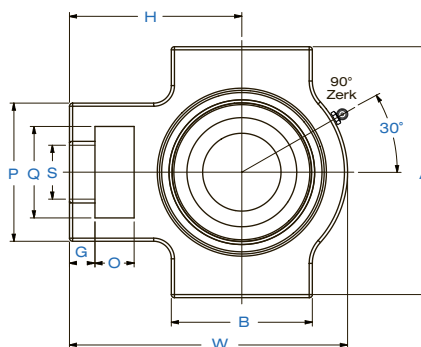
Seal
Styles



Standard Seal
with Flinger



Triple-Lip
L3 Seal



Bearing Number	Shaft Dia. d in. mm.	Dimensions in. mm.															Load Rating lbs. kN.		Bearing Insert	Housing Number	Wt. lbs. kg.	
		O	G	P	Q	S	B	K	E	A	W	J	L	H	Bi	N	M	Dynamic Cr				Static Cor
SNCSTM 201-8	1/2																			SNC 201-8		
SNCSTM 202-10	5/8	0.63	0.38	2.00	1.25	0.75	2.00	0.53	3.00	3.50	3.70	1.25	0.83	2.40	1.5472	0.5000	0.6732	2,331	1,142	STM 204	SNC 202-10	2.0
SNCSTM 204-12	3/4	16.0	10.0	51.0	32.0	19.0	51.0	13.5	76.0	89.0	94.0	32.0	21.0	61.0	39.3	12.7	17.1	10.37	5.08		SNC 204-12	0.9
SNCSTM 204	20																				SNC 204	
SNCSTM 205-14	7/8																			SNC 205-14		
SNCSTM 205-15	15/16	0.63	0.38	2.00	1.25	0.75	2.00	0.53	3.00	3.50	3.82	1.25	0.94	2.44	1.6220	0.5630	0.6890	2,542	1,349	STM 205	SNC 205-15	2.2
SNCSTM 205	25	16.0	10.0	51.0	32.0	19.0	51.0	13.5	76.0	89.0	97.0	32.0	24.0	62.0	41.2	14.3	17.4	11.31	6.00		SNC 205	1.0
SNCSTM 205-16	1																				SNC 205-16	
SNCSTM 206-17	1 1/16																			SNC 206-17		
SNCSTM 206-18	1 1/8	0.63	0.44	2.20	1.46	0.87	2.25	0.53	3.50	4.02	4.45	1.46	1.10	2.75	1.8110	0.6260	0.7165	3,554	1,942	STM 206	SNC 206-18	3.3
SNCSTM 206	30	16.0	11.0	56.0	37.0	22.0	57.0	13.5	89.0	102.0	113.0	37.0	28.0	70.0	46.0	15.9	18.2	15.81	8.64		SNC 206	1.5
SNCSTM 206-19	1 3/16																				SNC 206-19	
SNCSTM 206-20	1 1/4																			SNC 206-20		
SNCSTM 207-20	1 1/4																			SNC 207-20		
SNCSTM 207-21	1 5/16	0.63	0.56	2.52	1.46	0.87	2.52	0.53	3.50	4.02	5.12	1.46	1.18	3.07	1.9606	0.6890	0.7402	4,683	2,626	STM 207	SNC 207-21	4.2
SNCSTM 207-22	1 3/8	16.0	14.0	64.0	37.0	22.0	64.0	13.1	89.0	102.0	130.0	37.0	30.0	78.0	49.8	17.5	18.8	20.83	11.68		SNC 207-22	1.9
SNCSTM 207	35																				SNC 207	
SNCSTM 207-23	1 7/16																			SNC 207-23		
SNCSTM 208-24	1 1/2	0.75	0.67	3.27	1.94	1.13	3.27	0.63	4.02	4.50	5.67	1.93	1.30	3.46	2.1220	0.7480	0.8425	5,294	3,057	STM 208	SNC 208-24	6.2
SNCSTM 208-25	1 9/16	19.0	17.0	83.0	49.0	29.0	83.0	16.0	102.0	114.0	144.0	49.0	33.0	88.0	53.9	19.0	21.4	23.55	13.60		SNC 208-25	2.8
SNCSTM 208	40																				SNC 208	
SNCSTM 209-26	1 5/8																			SNC 209-26		
SNCSTM 209-27	1 11/16	0.75	0.67	3.27	1.94	1.13	3.27	0.63	4.02	4.61	5.71	1.93	1.38	3.43	2.1220	0.7480	0.8425	5,923	3,507	STM 209	SNC 209-27	6.9
SNCSTM 209-28	1 3/4	19.0	17.0	83.0	49.0	29.0	83.0	16.0	102.0	117.0	145.0	49.0	35.0	87.0	53.9	19.0	21.4	26.35	15.60		SNC 209-28	3.1
SNCSTM 209	45																				SNC 209	
SNCSTM 210-30	1 7/8																			SNC 210-30		
SNCSTM 210-31	1 15/16	0.75	0.67	3.27	1.94	1.13	3.39	0.63	4.02	4.61	5.91	1.93	1.46	3.54	2.2480	0.7480	0.9685	6,402	4,046	STM 210	SNC 210-31	7.1
SNCSTM 210	50	19.0	17.0	83.0	49.0	29.0	86.0	16.0	102.0	117.0	150.0	49.0	37.0	90.0	57.1	19.0	24.6	28.48	18.00		SNC 210	3.2
SNCSTM 210-32	2																				SNC 210-32	
SNCSTM 211-32	2																			SNC 211-32		
SNCSTM 211-34	2 1/8	0.98	0.75	4.02	2.52	1.38	3.75	0.87	5.12	5.71	6.73	2.52	1.50	4.17	2.5906	0.8740	1.0906	7,931	5,036	STM 211	SNC 211-34	10.7
SNCSTM 211	55	25.0	19.0	102.0	64.0	35.0	95.0	22.0	130.0	145.0	171.0	64.0	38.0	106.0	65.8	22.2	27.7	35.28	22.40		SNC 211	4.9
SNCSTM 211-35	2 3/16																				SNC 211-35	
SNCSTM 212-36	2 1/4																			SNC 212-36		
SNCSTM 212	60	1.26	0.75	4.02	2.52	1.38	4.02	0.87	5.12	5.71	7.64	2.52	1.65	4.69	2.8425	1.0000	1.2165	9,554	5,921	STM 212	SNC 212	13.1
SNCSTM 212-38	2 3/8	32.0	19.0	102.0	64.0	35.0	102.0	22.0	130.0	145.0	194.0	64.0	42.0	119.0	72.2	25.4	30.9	42.50	26.34		SNC 212-38	6.0
SNCSTM 212-39	2 7/16																				SNC 212-39	

MARINER